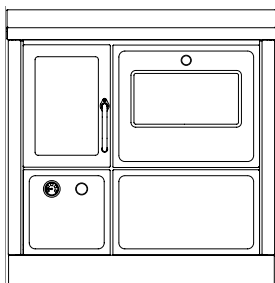
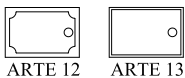
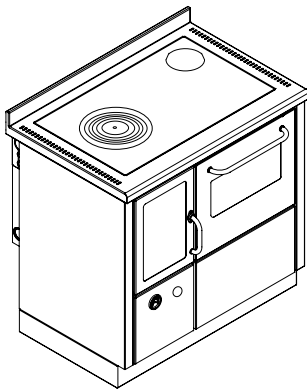


FKA900**THERMO-COOKERS "CLASSICA"**

mm 900x600xh860

CE EN -12815 certification



ARTE 11

Available in colors

White, Blue, Green, Grey, Black, Red, Ivory, Rust, Stainless steel

(stainless steel satin-finished)

Version Arte 11,12,13,

White, Blue, Green, Grey, Black, Red, Ivory, Rust

(choice of knobs: nickel-plated, satin-finished, polished brass)

STANDARD EQUIPMENT

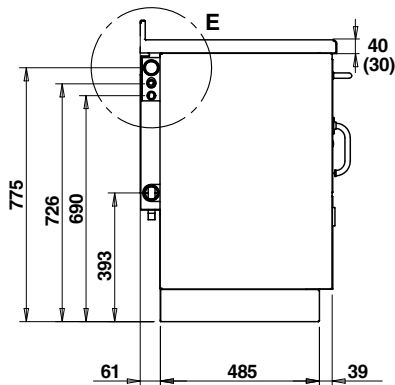
- oven of mm. 360x460xh235
- cast-iron hotplate mm 740x450 with cooking rings set
- right or left top flue outlet \varnothing 140 mm
- stainless steel frame of mm 40 (total h860 mm) A1-B1
- rise type A1 mm 60x15
- base h.100 mm. stainless steel

BY REQUEST

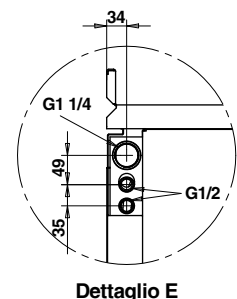
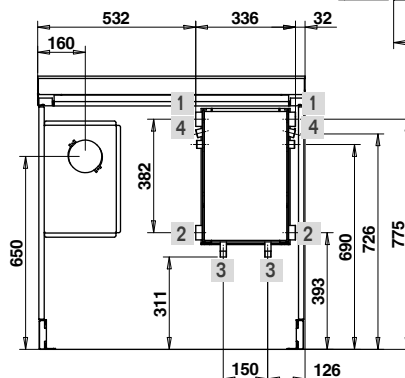
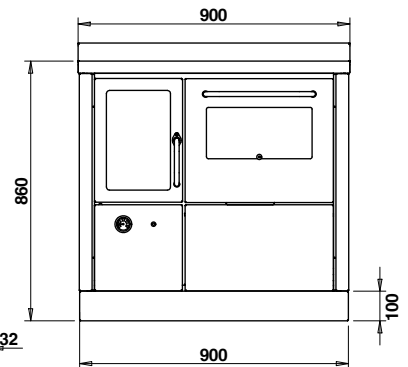
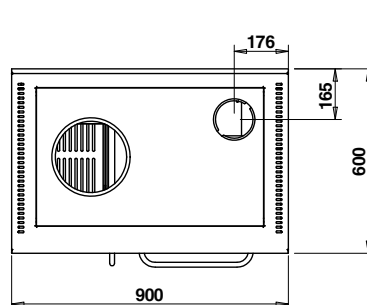
- safety thermic exhaust outfitted for close circuits implants
- rear flue outlet, right or left \varnothing 140 mm
- glass-ceramic hotplate (rear flue only)
- external flue air \varnothing 80 mm

OPTIONAL

- front, 2 or 3 side handrail \varnothing 20 mm, Stainless steel or brass
- stainless steel cover
- high performance hotplate



Right flue version. Left flue version is symmetrical



- 1 Out connection 1" 1/4 female
- 2 In connection 1" 1/4 female
- 3 Connection for thermal outflow circuit 1/2" male
- 4 Connection for thermal outflow tube 1/2" female

DATA SHEET

Nominal heat output (max): 12 (20) kw	Nominal water heat output (max): 9 (16) kw
Mean content of CO to 13% O ₂ : 0.21 %	Efficiency: 71 %
Maximum operating pressure: 1.5 bar	Boiler capacity: 20 Lt
Hearth dimensions (LxPxH): 22x41x45 cm	Fill opening (LxH): 21x23 cm
Mean flue gas temperature: 254 °C	Flue gas mass flow: 30.9 g/s
Flue depression: 0.15 mbar	Net weight/packaging included: 230/250 kg