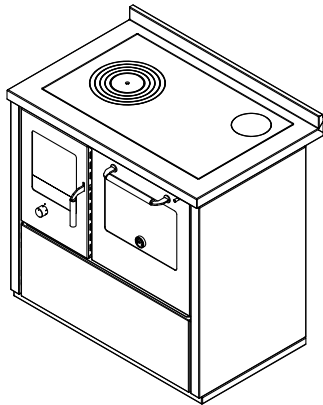


**EK90****THERMO-COOKERS "ECO"**

mm 900x600xh860

CE EN -12815 certification



Colours:

White, Blue, Green, Grey, Black, Red, Ivory, Rust, Stainless steel

**STANDARD EQUIPMENT**

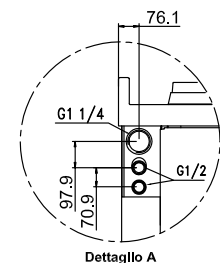
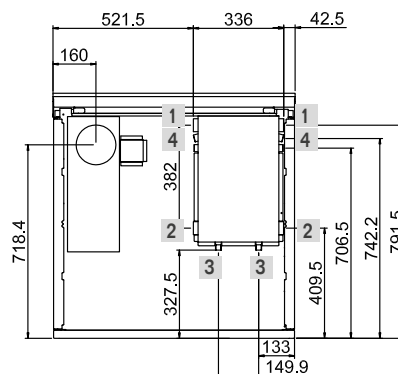
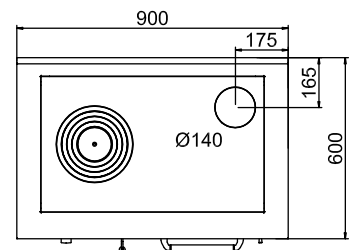
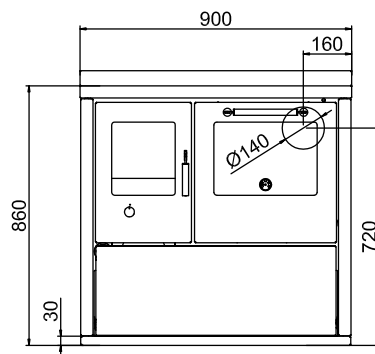
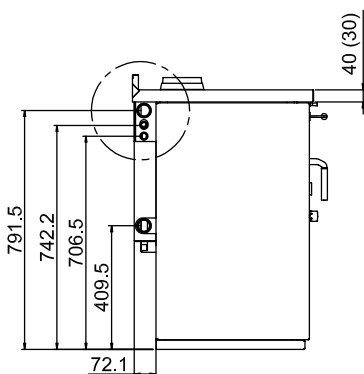
- safety heat exhaust outfitted
- right or left top flue outlet  $\varnothing$  130 mm
- cast-iron hotplate mm 740x450 with cooking rings set
- black doors
- oven mm. 360x440xh260 with oven light and thermometer
- stainless steel frame of mm 40 (total h860 mm ) A2-B4
- s.steel handles D3
- stainless steel base h. 30 mm

**BY REQUEST**

- rear flue outlet, right or left  $\varnothing$  140 mm
- s.steel doors
- glass-ceramic hotplate (rear flue only)

**OPTIONALS**

- front handrail s.steel or brass, 2 or 3 sides
- heavy-duty radiant hotplate
- stainless steel hotplate cover



- 1 Out connection 1" 1/4 female
- 2 In connection 1" 1/4 female
- 3 Connection for thermal outflow circuit 1/2" male
- 4 Connection for thermal outflow tube 1/2" female

Right flue version. Left flue version is symmetrical

**DATA SHEET**

Nominal heat output (max): 12 (20) kw	Nominal water heat output (max): 9 (16) kw
Mean content of CO to 13% O <sub>2</sub> : 0.21 %	Efficiency: 71 %
Maximum operating pressure: 1.5 bar	Boiler capacity: 20 Lt
Hearth dimensions (LxPxH): 22x41x45 cm	Fill opening (LxH): 22x25 cm
Mean flue gas temperature: 254 °C	Flue gas mass flow: 30.9 g/s
Flue depression: mbar 0.12	Net weight/packaging included: kg 195/210