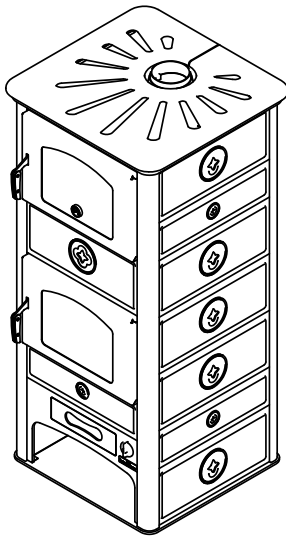


S60F**WOOD STOVES**

mm 680x660xh1450

CE EN -13240 certification

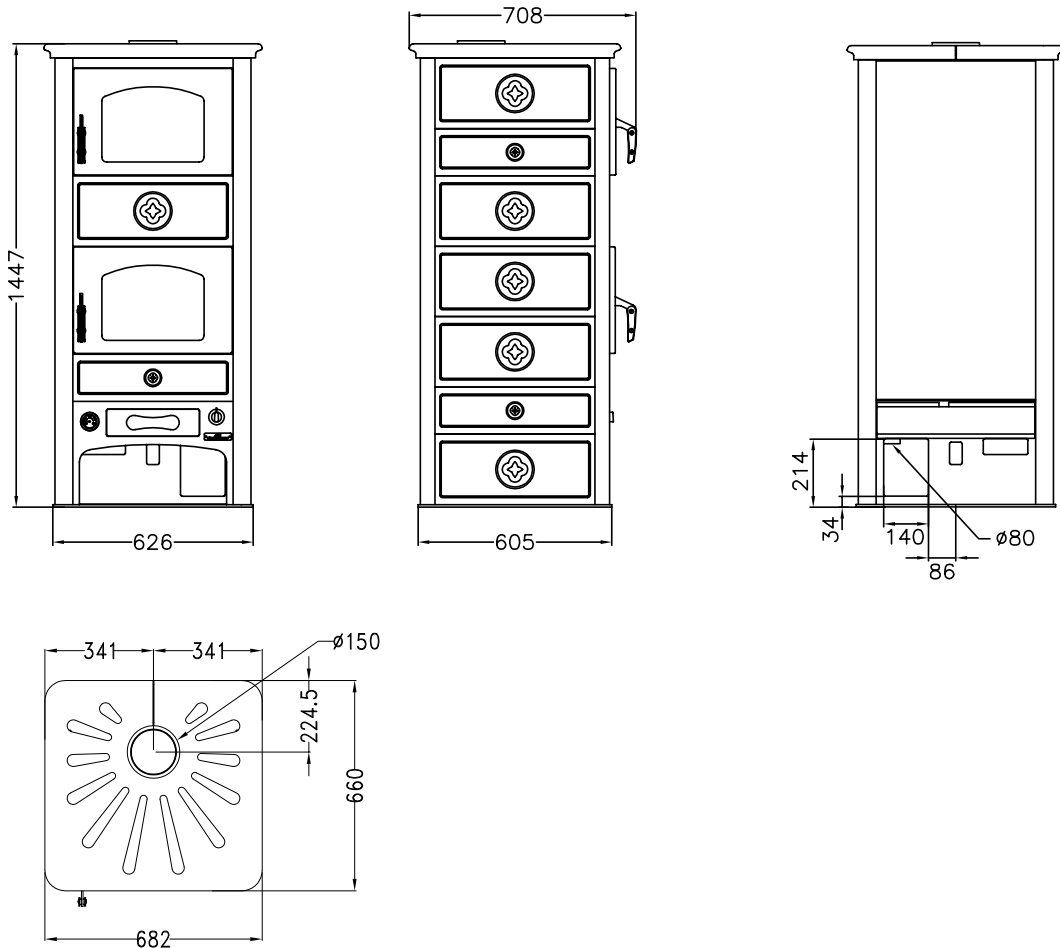


S60F

Ceramic tiles white, bordeaux, ground

STANDARD EQUIPMENT

- above flue \varnothing 150 mm
- safety heat exhaust outfitted for connection to a close circuit
- oven of mm 350x520xh240
- oven features: 1 grid + 1 baking pan
- primary air thermostatic regulation
- external flue air \varnothing 80 mm

**DATA SHEET**

Energy Efficiency Class: A+	Efficiency: 85.1 %
Nominal heat output: 13.5 kw	Mean content of CO to 13% O ² : 0.05 %
Max heat output: 16.0 kw	Average DUST content to 13% O ₂ : 24 mg/Nm ³
Firebox capacity (LxPxH): 33x36x45 cm	Fill opening (LxH): 35x25 cm
Mean flue gas temperature: 230 °C	Flue gas mass flow: 11.0 g/s
Flue depression: mbar 0.12	Net weight/packaging included: kg 270/290