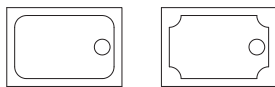
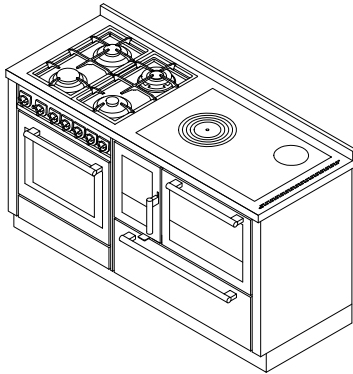


MB159**KOMBI "CLASSICA"** **de manincor**

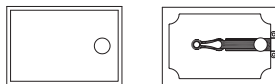
mm 1500x600xh860

CE EN -12815 certification



ARTE 11

ARTE 12



ARTE 13

ARTE 14

Colours:

White, Blue, Green, Black, Red, Ivory

(stainless steel satin-finished handles)

Version Arte 11, 12, 13, 14:

White, Blue, Green, Black, Red, Ivory, Copper

(choice of knobs: nickel-plated, satin-finished, polished brass)

Wood-cooker **mod. F90** next, on the right or on the left, to a gas cooker **mod. G60****STANDARD EQUIPMENT**

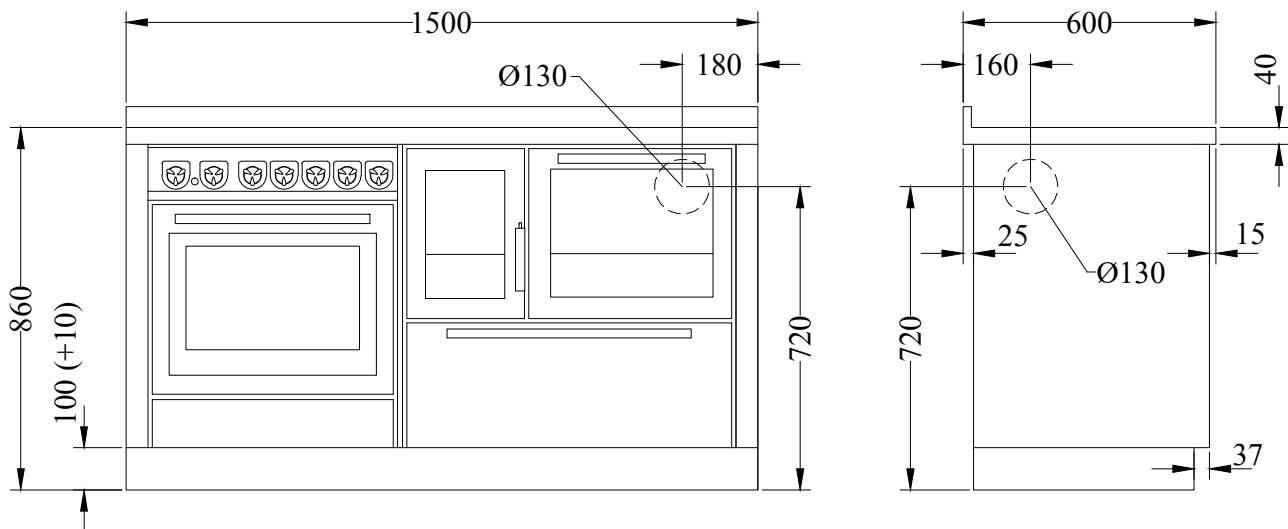
- top flue, right or left \varnothing 130 mm
- S.steel frame of mm 40 (total h 860 mm.)
- Stainless steel base h. 100 mm

BY REQUEST

- rear or side flue outlet, right or left \varnothing 130 mm
- glass-ceramic hotplate (rear flue only)
- plan variations

OPTIONALS

- front handrail s.steel or brass, 2 or 3 sides, heavy-duty radiant hotplate, stainless steel hotplate cover

DATA SHEET

Net weight/packaging included: kg 240/290

See each equipment for technical data