

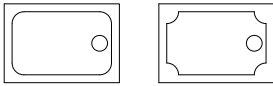
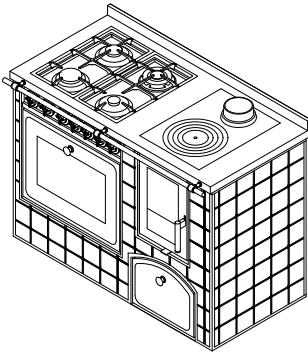
**MB Rustico  
120**

**KOMBI "RUSTICA"**

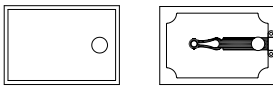


mm 1200x600xh860

CE EN -12815 certification



ARTE 11    ARTE 12



ARTE 13    ARTE 14

Available with:

- standard ceramic tiles mm 100x100
- customer's ceramic tiles according to feasibility study
- white crude plaster

Wood-cooker **mod. FP60** next, on the right or on the left, to gas cooker **mod.G60**

**STANDARD EQUIPMENT**

- electric static/fan-assisted 8 functions oven
- front handrail
- stainless steel frame of mm 40 (total h860 mm )
- arched wood box
- arte range doors and knobs
- panoramic version with finishes on three sides, frame without ventilation drives

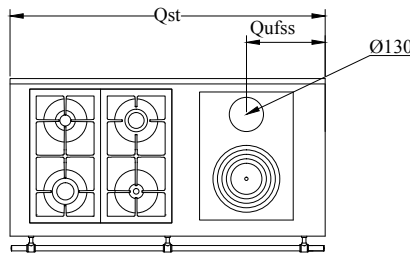
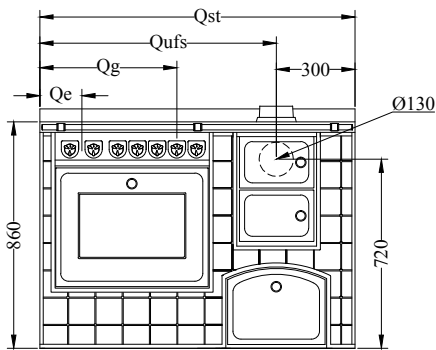
**BY REQUEST**

- rear or side flue outlet, right or left  $\varnothing$  140 mm
- rectangular wood box
- without arched wood box
- fire door with ceramic glass
- built-in version with finishes on the front side, ventilation s.steel side panels, frame with ventilation drives
- electric version with induction or infrared cooktop

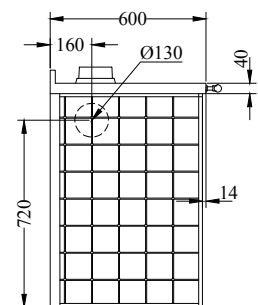
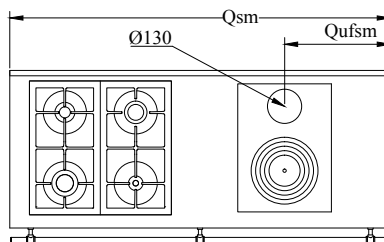
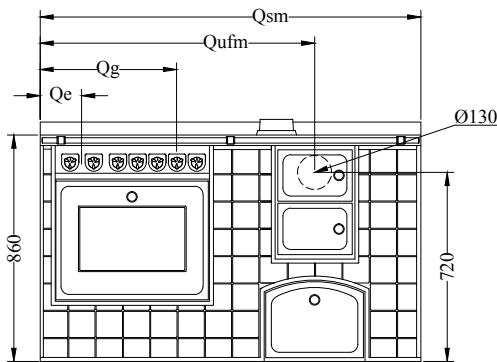
**OPTIONALS:**

- front handrail s.steel or brass, 2 or 3 sides, heavy-duty radiant hotplate, stainless steel hotplate cover

**DATA SHEET**



|       |                          |                 |
|-------|--------------------------|-----------------|
| Qst   | standard                 | mm1200          |
| Qufs  | standard flue            | mm 1060         |
| Qsm   | made-to-order            | L               |
| Qufm  | made-to-order flue       | (L-Qst)/2+Qufs  |
| Qe    | electrical connection    | mm 120          |
| Qg    | gas connection 1/2"      | mm 520          |
| Qufss | standard above flue      | mm 160          |
| Qufsm | made-to-order above flue | (L-Qst)/2+Qufss |



Net weight/packaging included:

See each equipment for technical data

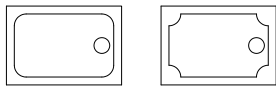
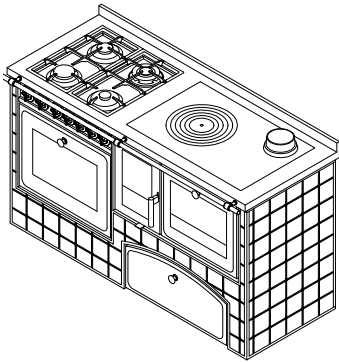
**MB Rustico  
150**

**KOMBI "RUSTICA"**

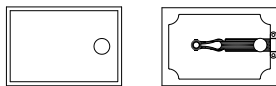


mm 1500x600xh860

CE EN -12815 certification



ARTE 11    ARTE 12



ARTE 13    ARTE 14

Available with:

- standard ceramic tiles mm 100x100
- customer's ceramic tiles according to feasibility study
- white crude plaster

Wood-cooker mod. FP90 next, on the right or on the left, to gas cooker mod.G610

**STANDARD EQUIPMENT**

- electric static/fan-assisted 8 functions oven
- front handrail
- stainless steel frame of mm 40 (total h860 mm )
- arched wood box
- arte range doors and knobs
- panoramic version with finishes on three sides, frame without ventilation drives

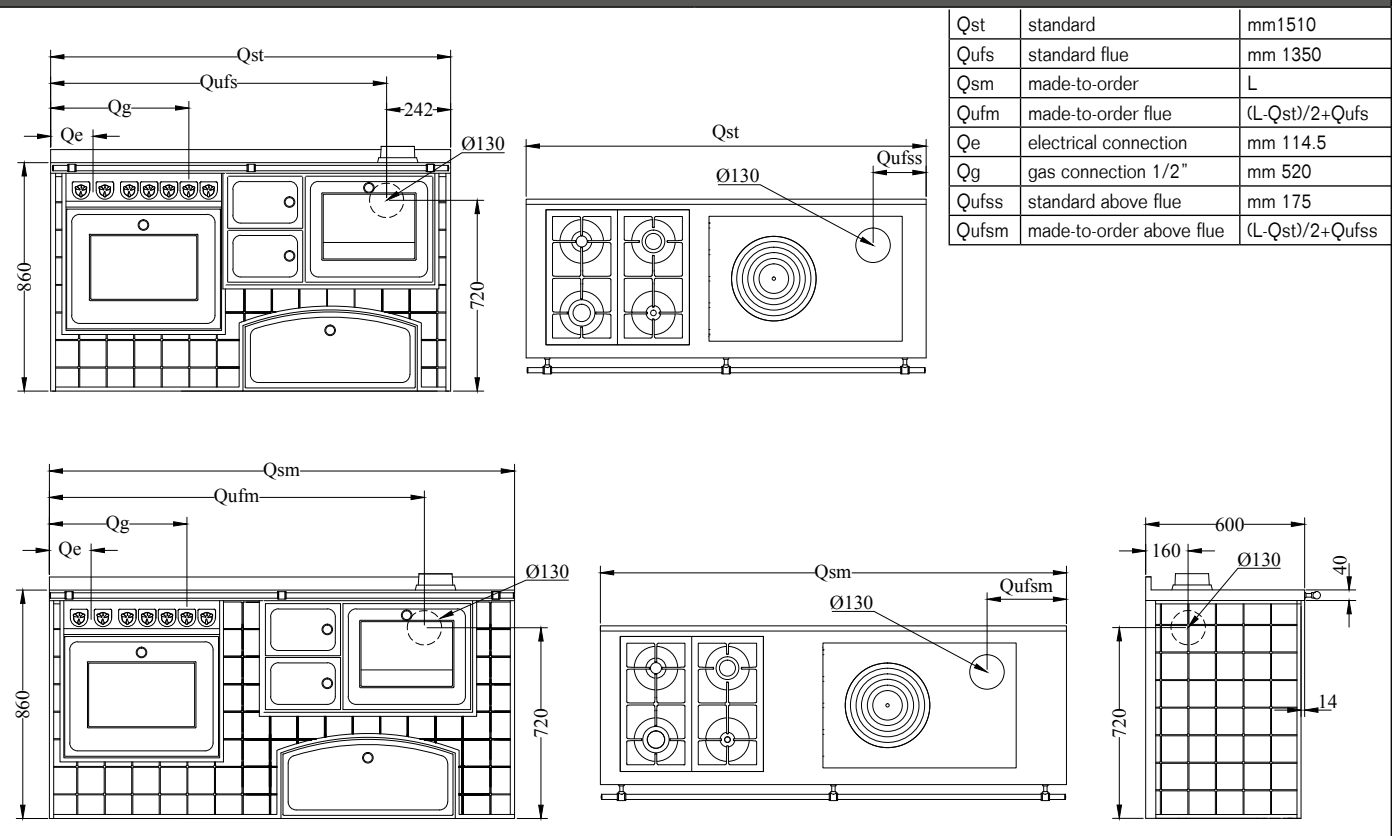
**BY REQUEST**

- rear or side flue outlet, right or left  $\varnothing$  140 mm
- rectangular wood box
- without arched wood box
- fire door with ceramic glass
- built-in version with finishes on the front side, ventilation s.steel side panels, frame with ventilation drives
- electric version with induction or infrared cooktop

**OPTIONALS:**

- front handrail s.steel or brass, 2 or 3 sides, heavy-duty radiant hotplate, stainless steel hotplate cover

**DATA SHEET**



|       |                          |                 |
|-------|--------------------------|-----------------|
| Qst   | standard                 | mm1510          |
| Qufs  | standard flue            | mm 1350         |
| Qsm   | made-to-order            | L               |
| Qufm  | made-to-order flue       | (L-Qst)/2+Qufs  |
| Qe    | electrical connection    | mm 114.5        |
| Qg    | gas connection 1/2"      | mm 520          |
| Qufss | standard above flue      | mm 175          |
| Qfsm  | made-to-order above flue | (L-Qst)/2+Qufss |

Net weight/packaging included:

See each equipment for technical data