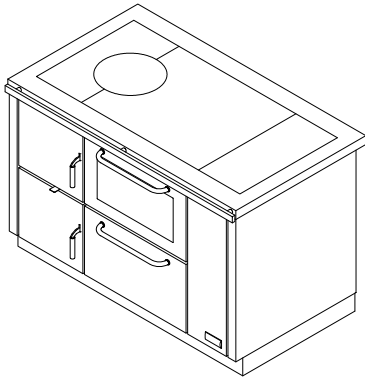


**LM140****PROFESSIONAL WOOD-COOKERS**

mm 1400x800xh910

CE EN -12815 certification



Colours:

Stainless steel

**STANDARD EQUIPMENT:**

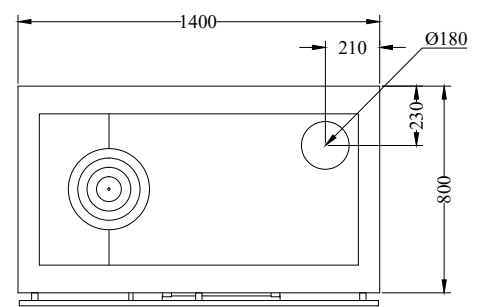
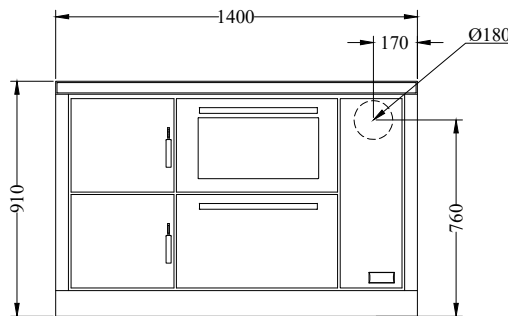
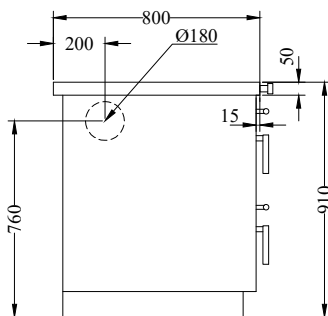
- above flue outlet, right or left  $\varnothing$  180 mm
- oven mm. 540x660xh290 GN 2/1
- oven-light and thermometer
- lower oven mm 540x660xh240 GN 2/1
- cast-iron hotplate mm 1250x550 with cooking rings set  $\varnothing$  320 mm
- s.steel frame of mm 50 (h totale 910 mm.)
- front handrail Stainless steel
- stainless steel base h. 100 mm
- external flue air

**BY REQUEST:**

- rear or side flue outlet, right or left  $\varnothing$  180 mm
- lower oven door with glass

**OPTIONALS:**

- 2 or 3 sides handrail Stainless steel



Right flue version. Left flue version is symmetrical

**DATA SHEET**

Nominal heat output: 18 kw	Efficiency: 85 %
Max heat output: 25 kw	Mean content of CO to 13% O <sup>2</sup> : 0.02 %
Mean flue gas temperature: 235 °C	Flue gas mass flow: 17.9 g/s
Hearth dimensions (LxPxH): 30x50x35 cm	Average dust content to 13% O <sup>2</sup> : 20 mg/Nm <sup>3</sup>
Fill opening (LxH): 27x27 cm	External flue air ( $\varnothing$ 80 mm)
Flue depression: mbar 0.12	Net weight/packaging included: kg 525/570