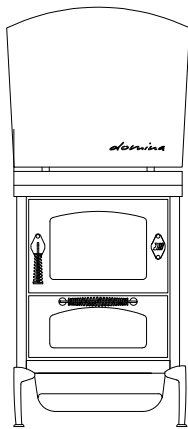
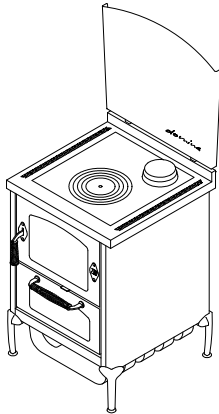


**DOMINA****WOOD-COOKERS "DOMINO"**

mm 600x600xh860

CE EN -12815 certification



Colours:

Blackl

**STANDARD EQUIPMENT**

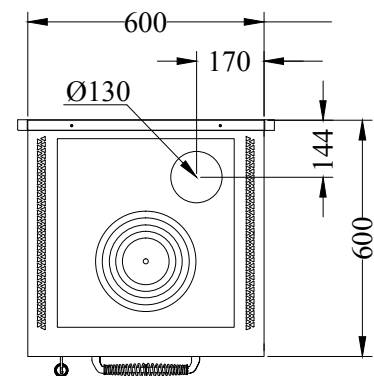
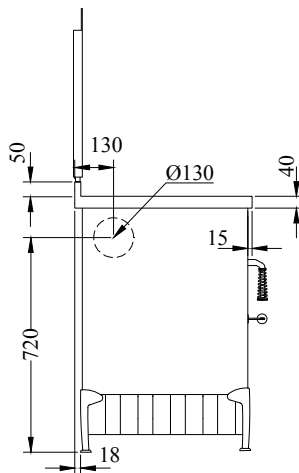
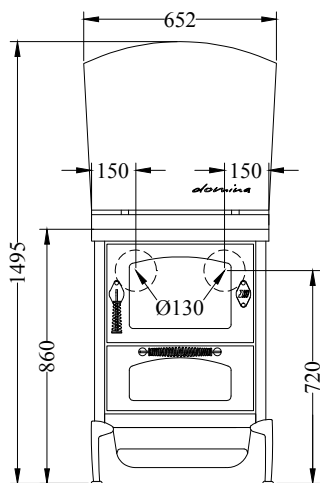
- right or left top flue outlet  $\varnothing$  130 mm
- right or left reversible fire door
- oven mm. 340x470xh150
- oven light and thermometer
- cast-iron hotplate mm 450x480 with maxi cooking ring set  $\varnothing$  320 mm
- s. steel backguard
- black doors
- s. steel handles D3
- s. steel frame mm 40 (total height 860 mm)

**BY REQUEST**

- s. steel doors
- s. steel handles D1
- rear or side flue outlet, right or left  $\varnothing$  130 mm
- glass-ceramic hotplate (rear flue exit)
- plan variation

**OPTIONALS:**

- frontal handrail, s. steel or brass, 2 or 3 sides
- heavy-duty radiant hotplate
- stainless steel hotplate cover

**DATA SHEET**

Nominal heat output: 5.5 kw

Efficiency: 85 %

Max heat output: 7.5 kw

Mean content of CO to 13% O<sub>2</sub>: 0.08 %

Mean flue gas temperature: 238 C°

Flue gas mass flow: 6.3 g/s

Hearth dimensions (LxPxH): 38x25x25 cm

Average DUST content to 13% O<sub>2</sub>: 22.9 mg/Nm<sup>3</sup>

Fill opening (LxH): 35x20 cm

External flue air: not available

Flue depression: 0.12 mbar

Net weight/packaging included: 180/195 kg