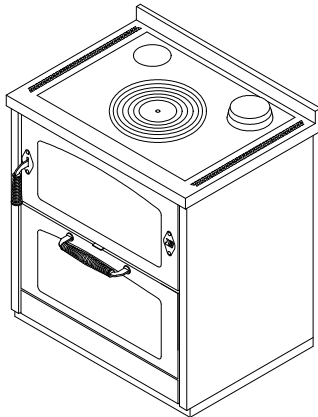


D8 MAXI**WOOD-COOKERS "DOMINO"** **de manincor**

mm 800x600xh860

CE EN -12815 certification



Colours:

White, Blue, Yellow, Black, Red, Ivory, Stainless steel

STANDARD EQUIPMENT

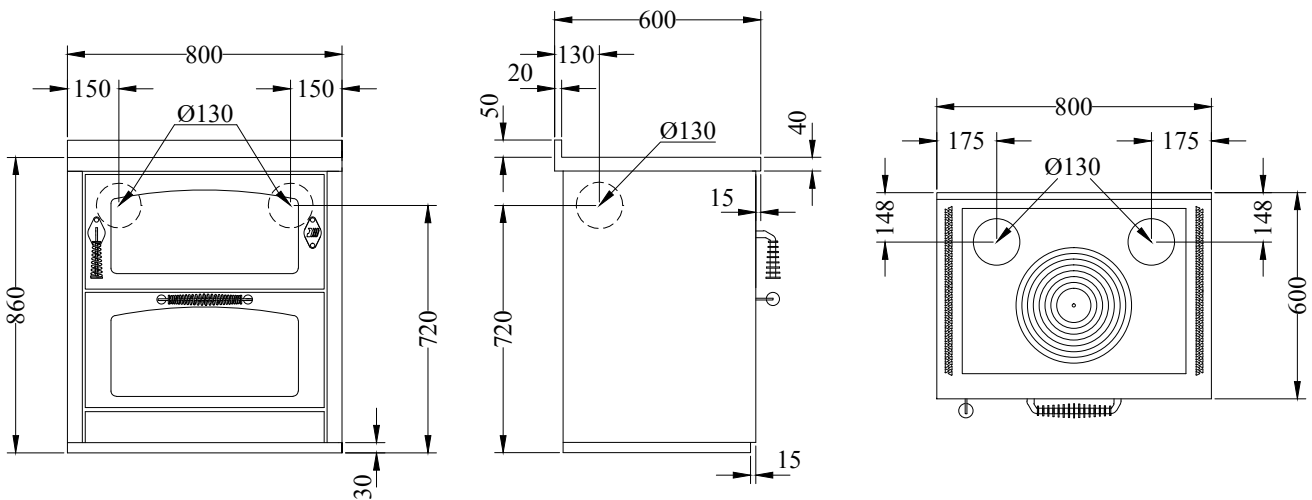
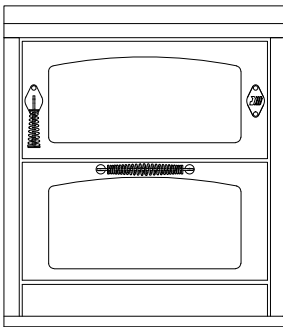
- right or left top flue outlet \varnothing 130 mm
- right or left reversible fire door
- oven mm. 540x470xh260
- oven light and thermometer
- cast-iron hotplate mm 650x480 with maxi cooking ring set \varnothing 320 mm
- black doors
- s.steel handles D3
- s.steel frame mm 40 (total height 860 mm)
- s.steel base h. 30 mm

BY REQUEST

- s.steel doors
- s.steel handles D1
- rear or side flue outlet, right or left \varnothing 130 mm
- glass-ceramic hotplate (rear flue exit)

OPTIONALS:

- frontal handrail, 2 or 3 sides
- heavy-duty radiant hotplate
- stainless steel hotplate cover

**DATA SHEET**

Nominal heat output: 7.5 kw	Efficiency: 87 %
Max heat output: 10 kw	Mean content of CO to 13% O ₂ : 0.10 %
Mean flue gas temperature: 236 C°	Flue gas mass flow: 7.2 g/s
Hearth dimensions (LxPxH): 57x25x25 cm	Average dust content to 13% O ₂ : 26 mg/Nm ³
Fill opening (LxH): 55x20 cm	External flue air (\varnothing 80 mm): by request
Flue depression: 0.12 mbar	Net weight/packaging included: 195/215 kg