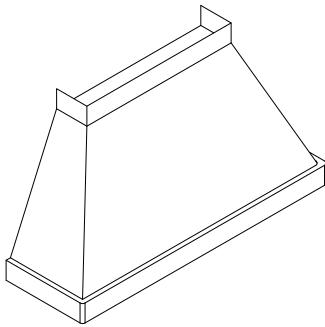


K90-200**VENT HOODS**

mm 900-2000x530

designed to withstand radiant heat from wood-burning stoves

**HIGH CENTRAL VENT HOOD**

Serie from 90 to 200 cm

Available in colors

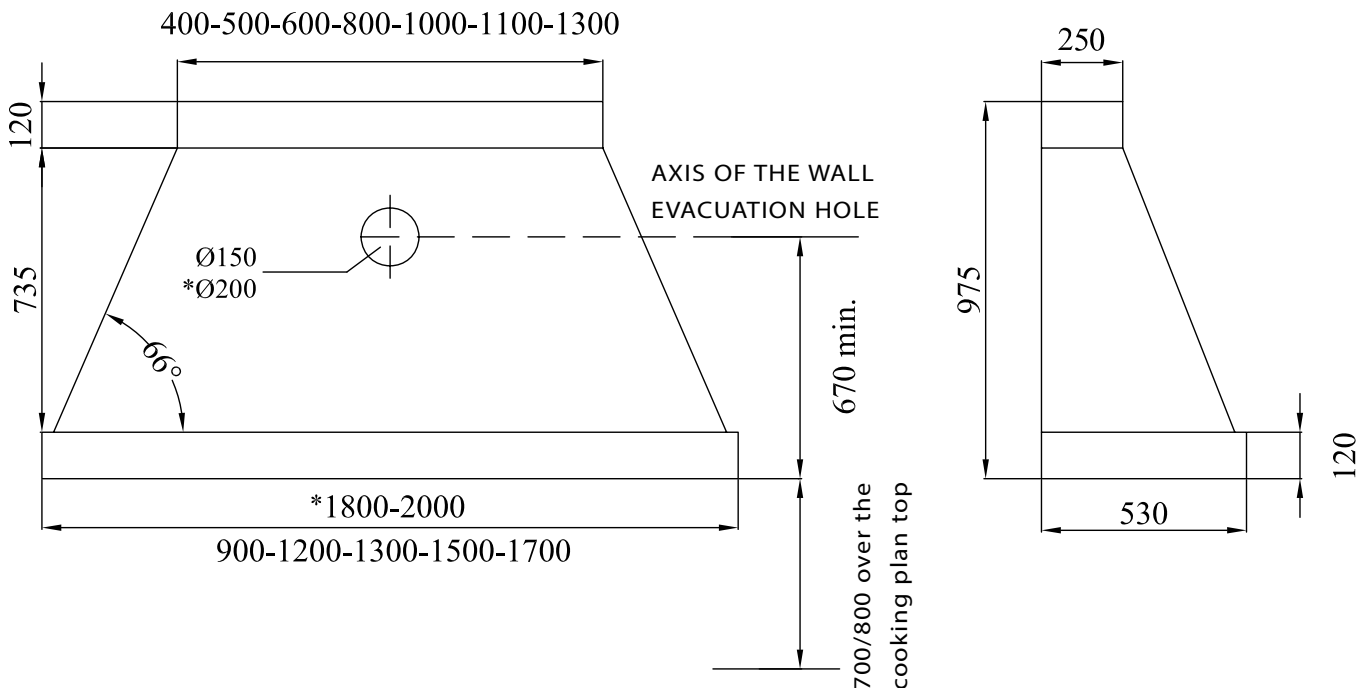
White, Blue, Green, Grey, Black, Red, Yellow, Ivory, Stainless steel

STANDARD EQUIPMENT

- stainless steel cross-piece
- stainless steel fat-filters
- maximum power mc/ora 900 (K180/200 mc/ora 1200)
- 185 W, 4 speed motor (K180/200 450 W)
- led lighting with bulbs
- n° of bulbs: n°2 K90/120; n°3 K150/170; n°4 K180/200
- implement rail
- exhaust \varnothing 150 mm (K180/200 \varnothing 200 mm)

BY REQUEST

- brass cross piece
- version without motor

DATA SHEET

Please do not connect the hood to an air extraction pipe smaller than the advised one. Danger of a general bad working of the appliance and overheating of the engine. In the case the extraction pipe cannot be \varnothing 200mm (1200mc/h) and the hood is larger than 180 cm, we suggest to order the hood with an engine apt to air extraction pipe \varnothing 150mm (900mc/h)