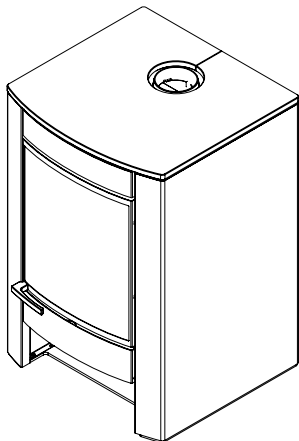


ZK60**THERMO-STOVES**

mm 680x660xh1080

CE EN -13240 certification

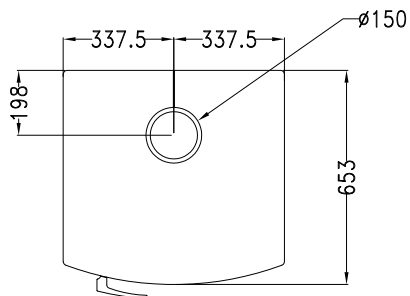
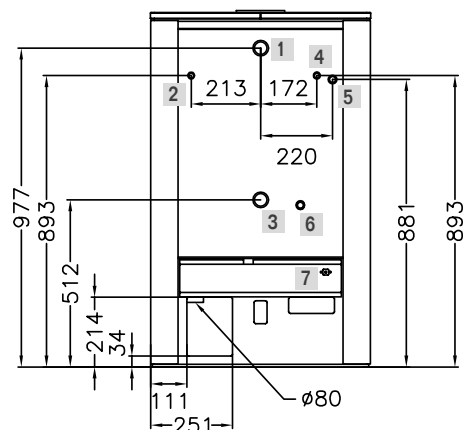
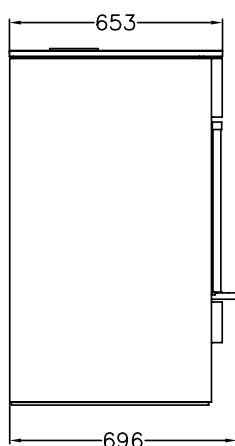
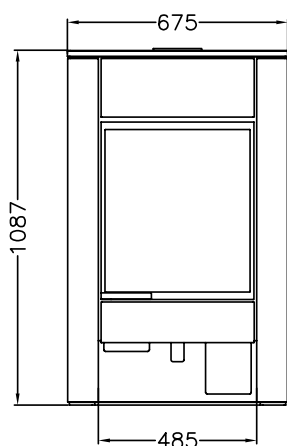


ZK60

Black

STANDARD EQUIPMENT

- above flue \varnothing 150 mm
- safety heat exhaust outfitted for connection to a close circuit
- pump thermostat
- primary air thermostatic regulation
- external flue air



- 1 Out connection 1" 1/4 female
- 2 Connection for thermal outflow circuit 1/2" male
- 3 In connection 1" 1/4 female
- 4 Connection for thermal outflow tube 1/2" female
- 5 Connection for thermal outflow circuit 1/2" male
- 6 Boiler exhaust 1/2" female
- 7 Pump thermostat

DATA SHEET

Nominal heat output (max): 13.9 (24.5) kw	Nominal water heat output (max): 12.5 (20.5) kw
Mean content of CO to 13% O ₂ : 0.06 %	Efficiency: 85.2 %
Maximum operating pressure: 1.5 bar	Boiler capacity: 26.5 Lt
Firebox capacity: 83 Lt	Fill opening (LxH): 35x25 cm
Mean flue gas temperature: 200 °C	Flue gas mass flow: 12.9 g/s
Flue depression: mbar 0.12	Net weight/packaging included: kg 260/280