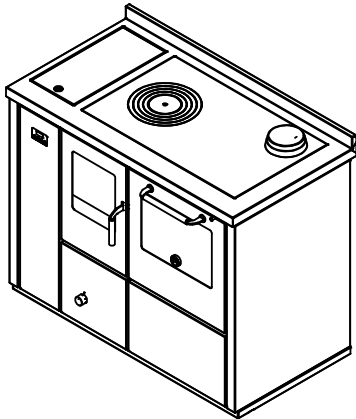


EKB110**THERMO-COOKERS "ECO"**

mm 1100x600xh860

CE EN -12815 certification



Colours:

White, Blue, Yellow, Black, Red, Ivory, Stainless steel

STANDARD EQUIPMENT

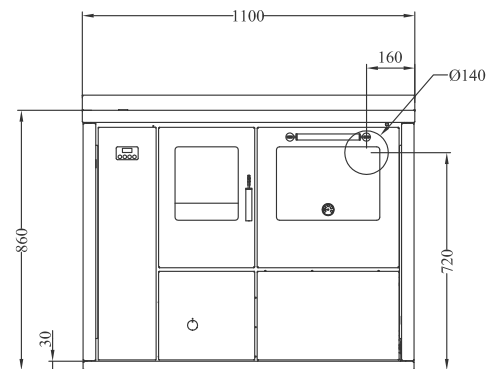
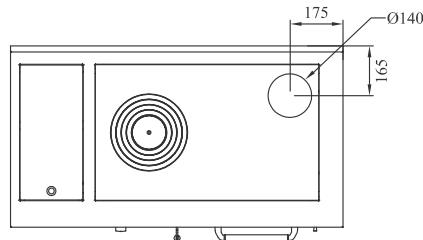
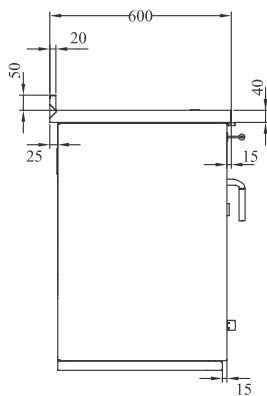
- integrated open expansion chamber, for close circuits implants
- circulation pump and electronic control unit
- right top flue outlet \varnothing 140 mm
- cast-iron hotplate mm 740x450 with cooking rings set
- height-adjustable grill
- black doors
- oven mm. 360x440xh260 with light and thermometer
- stainless steel frame of mm 40 (total h860 mm) A2-B4
- s.steel handles D3
- stainless steel base h. 30 mm

BY REQUEST

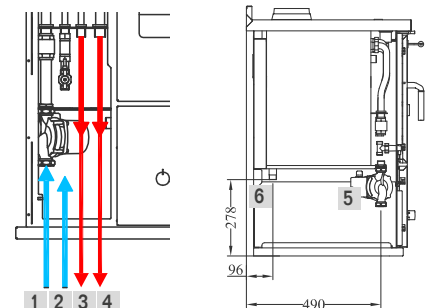
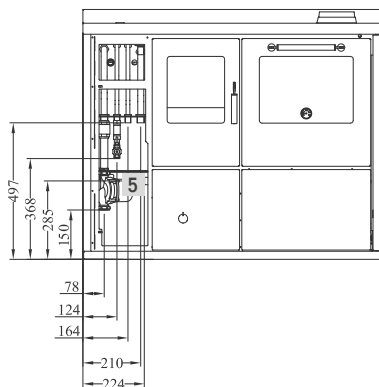
- s.steel doors
- production of domestic hot water
- rear flue, only on the right side \varnothing 140 mm
- glass-ceramic hotplate (rear flue only)

OPTIONALS

- front handrail s.steel or brass, 2 or 3 sides, heavy-duty radiant hotplate, s.steel hotplate cover



- 1 OUT connection \varnothing 3/4" female
- 2 Network \varnothing 1/2" male
- 3 Domestic hot water \varnothing 1/2" male
- 4 IN connection \varnothing 3/4" male
- 5 Loading/Discharge
- 6 Drain overflow \varnothing 1/2" male

**DATA SHEET**

Nominal heat output (max): 20 (30) kw	Nominal water heat output (max): 12.5 (20) kw
Mean content of CO to 13% O ₂ : 0.19 %	Efficiency: 75 %
Domestic hot water production: 12.5 Lt/min	Boiler capacity: 48Lt
Maximum operating pressure: 1.5 bar	Oven dimension (LxPxH): 36x43x26 cm
Hearth dimensions (LxPxH): 22x41x45 cm	Fill opening (LxH): 22x25 cm
Mean flue gas temperature: 254 °C	Flue gas mass flow: 30.9 g/s
Flue depression: mbar 0.12	Net weight/packaging included: kg 230/250