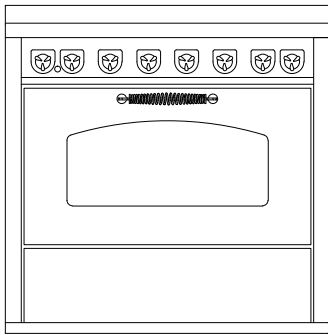
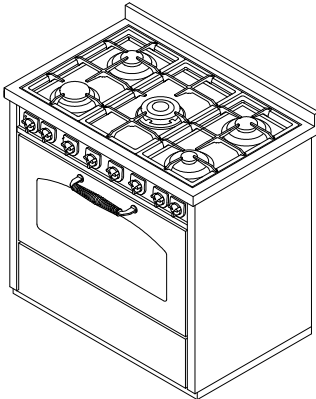


GD9**GAS COOKERS "DOMINO"** **de manincor**

mm 900x600xh860



Colours:

White, Blue, Yellow, Black, Red, Ivory, Stainless steel

STANDARD EQUIPMENT

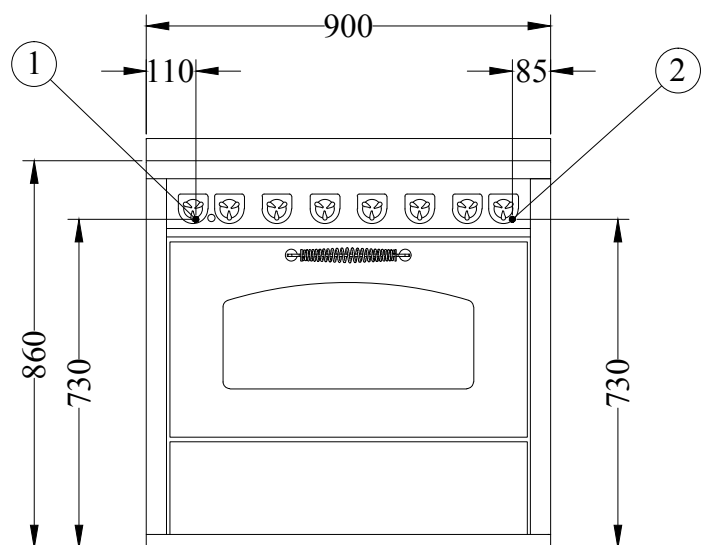
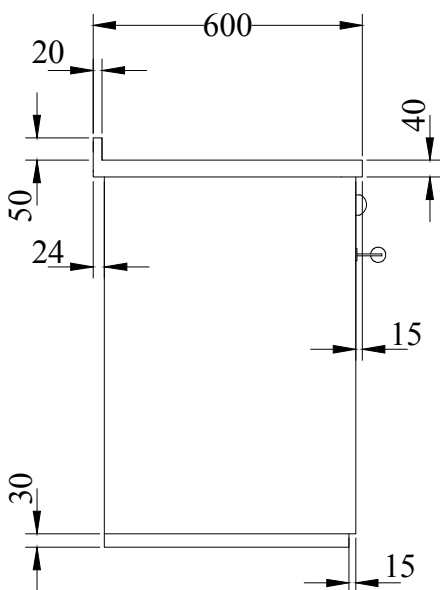
- gas cooker with 5 burners
- safety valves and electric ignition
- electric static/fan-assisted 8 functions oven with rotisserie
mm 620x410xh310, da 2,5 kW 230V
- oven equipment: 2 grids + 2 baking pans
- s.steel frame mm 40 (total height 860 mm)
- professional couples of grids in heavy-duty cast iron
- black door
- s.steel handles D3
- drawer (734 x 489 x h160 mm)
- s.steel base h. 30 mm

BY REQUEST

- s.steel door
- s.steel handle D1
- Electric version with induction cooktop 5 zones
2 zones \varnothing 160 mm-1,4 kw; 1 zone \varnothing 160 mm-1,4/2 kw; 1 zone \varnothing 200 mm- 2,3 kw; 1 zone \varnothing 250 mm- 2,3/3 kw
- Electric infrared version with ceramic glass cooktop 5 zones:
2 zones \varnothing 144 mm-1,2 kW; 2 zones \varnothing 180 mm-1,8 kW; 1 double zone \varnothing 144/230 mm-1/2,5 kW

OPTIONALS:

- frontal handrail, s.steel or brass, 2 or 3 sides
- s.steel hotplate mm 245 x 440

DATA SHEET

Gas burners (kw): 1 small 0.75, 2 medium 1.75, 1 big 3, 1 triple crown 3.6 : Tot. 10,85 kw

Electric oven 2.5 kw

Net weight/packaging incl: kg 80/95

1- electrical connection 2,5 kW 230 V

2- gas connection 1/2"